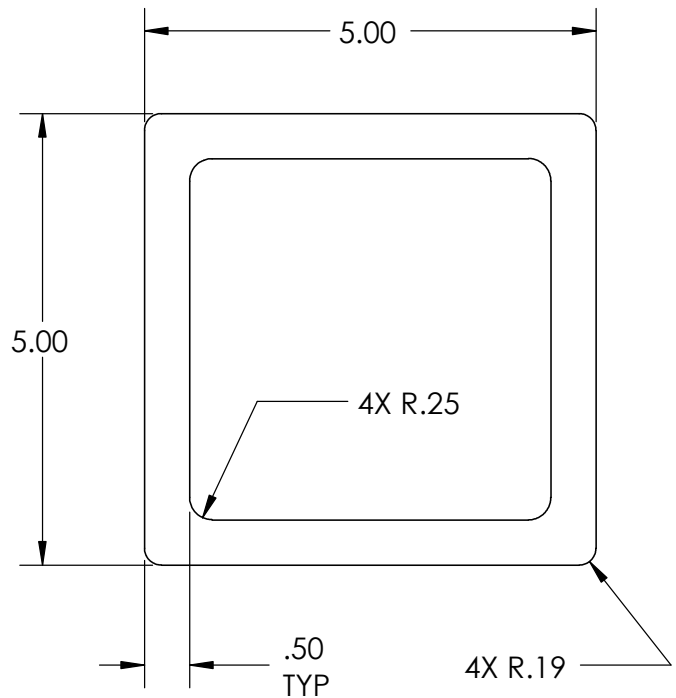
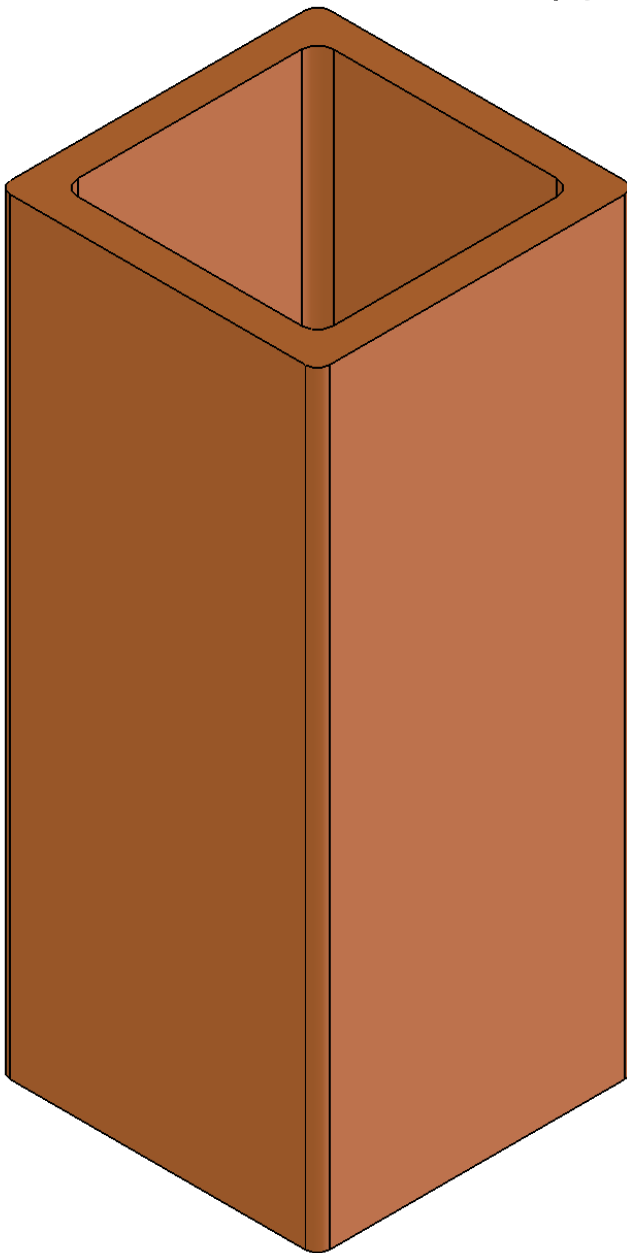


TECHNICAL REFERENCE DRAWING

HOLLOW POST

5" X 5"
(.500" WALL)



PHYSICAL PROPERTIES
 MASS = 4.33 LBS/LINEAR FOOT
 CROSS SECTIONAL AREA = 9.02 IN²

HOLLOW POST 5" X 5" (.50" WALL) STANDARD LENGTHS	
PART NUMBER	LENGTH
NC-755-05	5 FEET
NC-755-07	7 FEET
NC-755-09	9 FEET
NC-755-11	11 FEET
ADDITIONAL LENGTHS AVAILABLE UPON REQUEST	

PROPRIETARY AND CONFIDENTIAL
 THE INFORMATION CONTAINED IN THIS DRAWING IS THE SOLE PROPERTY OF NATURES COMPOSITES. ANY REPRODUCTION IN PART OR AS A WHOLE WITHOUT THE WRITTEN PERMISSION OF NATURES COMPOSITES IS PROHIBITED.

PART NUMBER	NC-755
DESCRIPTION	HOLLOW POST 5" X 5" (.500" WALL)
DRAWN BY:	JTM
DATE:	04/28/2014



NATURES COMPOSITES™

ORGANIC BUILDING PRODUCTS
 1302 INDUSTRIAL PARK AVE.
 TORRINGTON, WYOMING 82240
 (307) 532-9942

WWW.NATURESCOMPOSITES.COM