

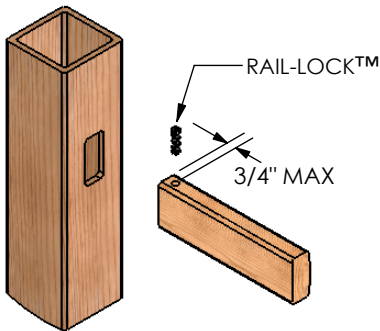
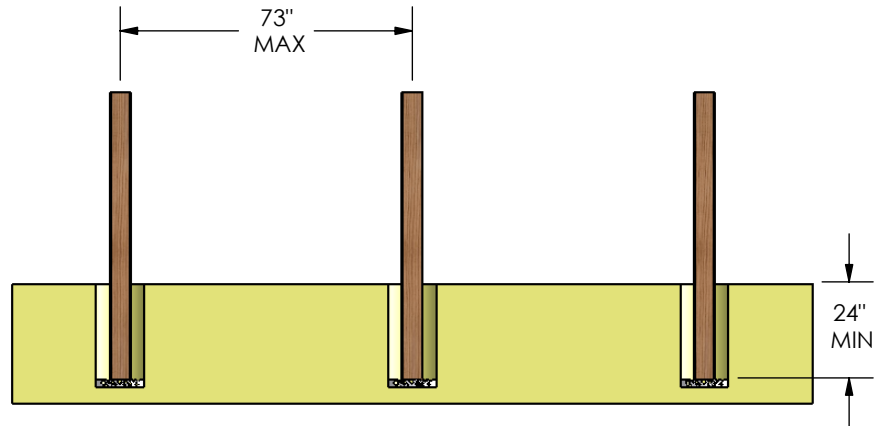
# 4' PICKET FENCE SYSTEM INSTALLATION INSTRUCTIONS

## BEFORE YOU BEGIN

1. VERIFY LOCATION OF UNDERGROUND UTILITIES BEFORE YOU BEGIN.
2. LOCATE PROPERTY LINES.
3. CONSULT LOCAL AND REGIONAL BUILDING CODES BEFORE YOU BEGIN.
4. ALWAYS WEAR APPROPRIATE SAFETY EQUIPMENT.
5. STANDARD WOODWORKING TOOLS MAY BE USED FOR INSTALLATION.

## POST INSTALLATION

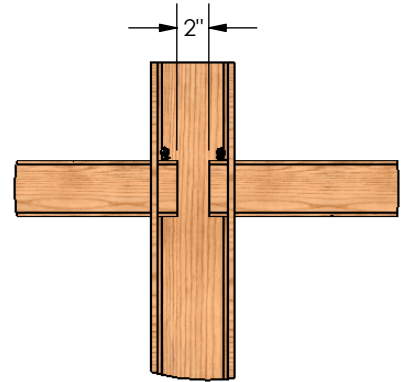
1. DIG 12" DIAMETER HOLES 24" TO 36" DEEP DEPENDING ON LOCAL BUILDING CODES.
2. ADD 2" OF GRAVEL TO BOTTOM OF HOLES.
3. SET POSTS IN 24" MINIMUM OF CONCRETE.
4. BEFORE CONCRETE SETS, PLUMB AND LEVEL POSTS MAKING SURE TO USE A STRING-LINE TO MAINTAIN ALIGNMENT.
5. ALLOW CONCRETE TO PROPERLY SET BEFORE PROCEEDING TO NEXT STEP.



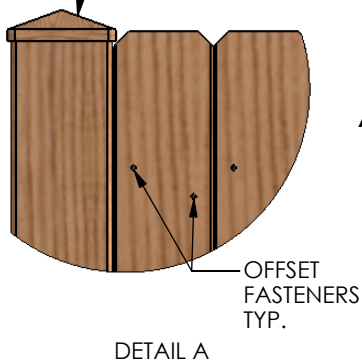
## RAILING INSTALLATION

1. INSTALL RAIL-LOCKS™ IN RAILS AS SHOWN.
2. DRILL 17/32" DIA HOLE IN RAIL 1-1/8" DEEP AS SHOWN.
3. INSERT RAIL-LOCK™ INTO HOLE FLAT SIDE DOWN.
4. COMPRESS RAIL-LOCK AND SLIDE RAIL INTO PRE-ROUTED HOLE IN POST.
5. RAIL-LOCK™ WILL EXPAND TO KEEP RAIL FROM FALLING OUT ONCE RAIL IS INSTALLED INTO POST.

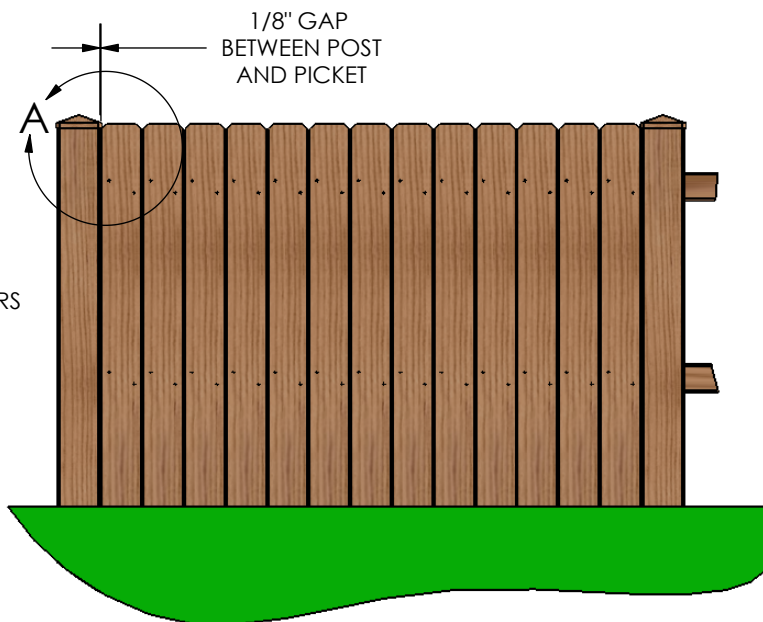
NOTE: LEAVE 2" GAP BETWEEN RAILS ENDS TO ALLOW FOR EXPANSION.



INSTALL POST CAPS USING RECOMMENDED CONSTRUCTION ADHESIVE (USE SMALL SCREWS IN ADDITION TO ADHESIVE IF NECESSARY. PRE-DRILL PILOT HOLES AND USE MINIMAL TORQUE TO PREVENT CAPS FROM SPLITTING).



DETAIL A



1/8" GAP BETWEEN POST AND PICKET

## PICKET INSTALLATION

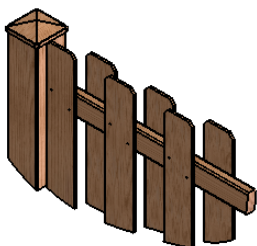
1. ATTACH PICKETS TO RAILS USING RECOMMENDED COMPOSITE FASTENERS.

NOTE: IT IS RECOMMENDED TO OFFSET FASTENERS ON EACH PICKET AS SHOWN IN DETAIL A.

2. BEGIN BY ATTACHING PICKETS NEXT TO POSTS FIRST. BE SURE TO LEAVE A 1/8" GAP BETWEEN THE POST AND THE PICKET.
3. CONTINUE BY INSTALLING PICKETS, EQUALLY SPACED IN THE AREA REMAINING.

NOTE: PICKETS MAY BE INSTALLED USING A NAIL GUN WITH DEPTH SET CAPABILITIES AND APPROPRIATE FASTENERS.

4. FINISH FENCE INSTALLATION BY INSTALLING POST CAPS USING RECOMMENDED CONSTRUCTION ADHESIVE (USE SMALL SCREWS IN ADDITION TO ADHESIVE IF NECESSARY. PRE-DRILL PILOT HOLES AND USE MINIMAL TORQUE TO PREVENT CAPS FROM SPLITTING).



SHADOW BOX DESIGN WITH ALTERNATING PICKETS RECOMMENDED FOR HIGH WIND AREAS

## ADDITIONAL INFORMATION

1. COLOR AND WOOD GRAIN MAY VARY AMONG BOARDS.
2. TERRA PICKET MAY "DEFLECT" DEPENDING UPON WEATHER AND ENVIRONMENTAL CONDITIONS.
3. INSTALL TERRA BALUSTERS AT THE BOTTOM OF PICKETS IF UNACCEPTABLE LEVEL OF DEFLECTION OCCURS.
4. ALWAYS CONSULT LOCAL AND REGIONAL BUILDING CODES.



**NATURES COMPOSITES™**

REMOVING FOOT PRINTS FROM OUR WORLD  
1302 INDUSTRIAL PARK AVE.  
TORRINGTON, WYOMING 82240  
(307) 532-9942

[WWW.NATURESCOMPOSITES.COM](http://WWW.NATURESCOMPOSITES.COM)