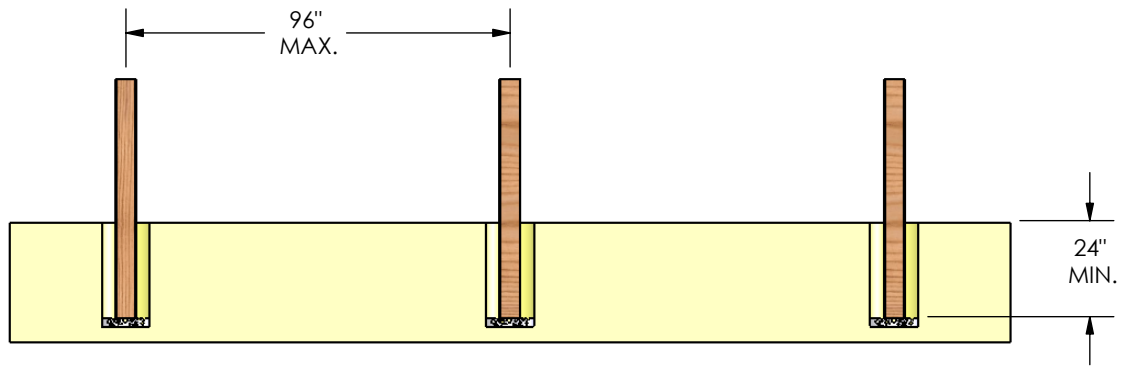


RANCH RAIL FENCE INSTALLATION INSTRUCTIONS - 2 RAIL

STEP 1:

1. DIG 12" DIAMETER HOLES 24" TO 36" DEEP DEPENDING ON LOCAL BUILDING CODES.
2. ADD 2" OF GRAVEL TO BOTTOM OF HOLES.
3. SET POSTS IN 24" MINIMUM OF CONCRETE.
4. BEFORE CONCRETE SETS, PLUMB AND LEVEL POSTS MAKING SURE TO USE A STRING-LINE TO MAINTAIN ALIGNMENT.

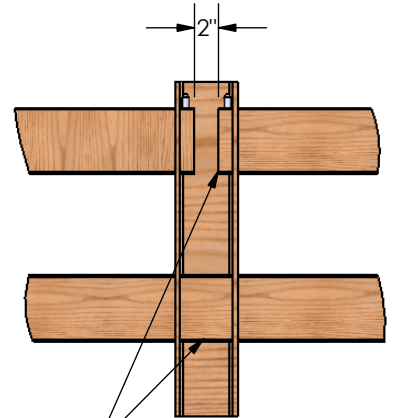
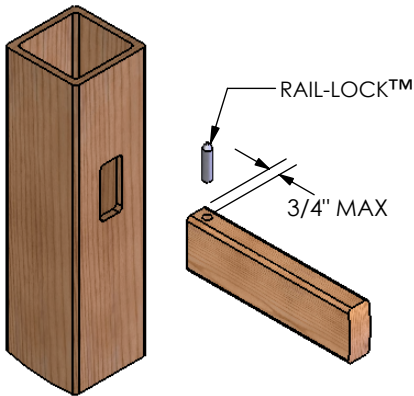


STEP 2:

1. INSTALL RAIL-LOCKS™ IN RAILS AS SHOWN.
2. DRILL 17/32" DIA HOLE IN RAIL 1-1/8" DEEP AS SHOWN.
3. INSERT RAIL-LOCK™ INTO HOLE FLAT SIDE DOWN.
4. COMPRESS RAIL-LOCK AND SLIDE RAIL INTO PRE-ROUTED HOLE IN POST.
5. RAIL-LOCK™ WILL EXPAND TO KEEP RAIL FROM FALLING OUT ONCE RAIL IS INSTALLED INTO POST.

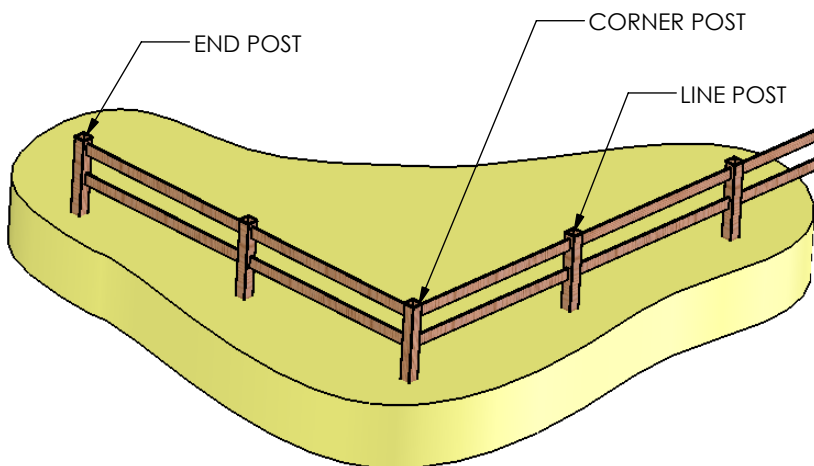
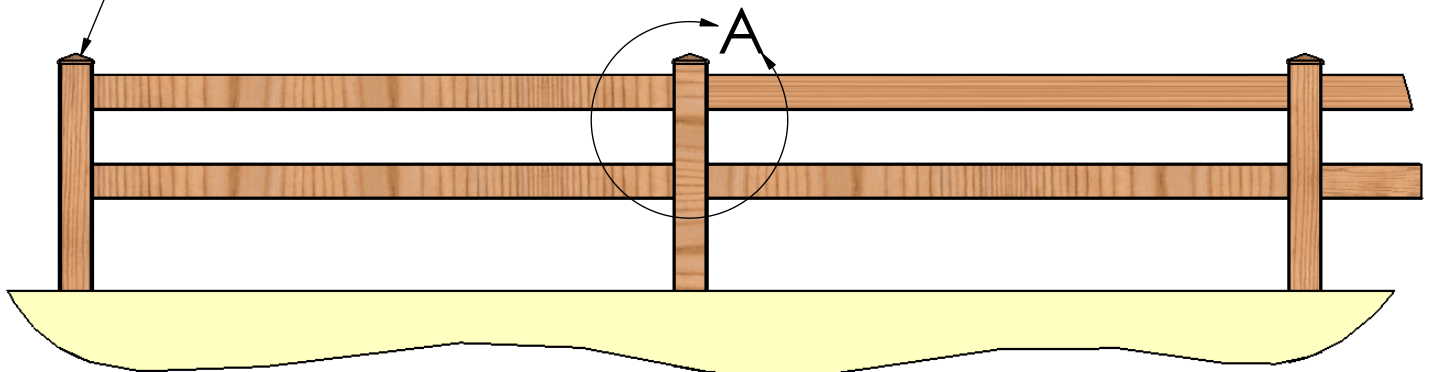
NOTE: LEAVE 2" GAP BETWEEN RAILS ENDS TO ALLOW FOR EXPANSION.

6. STAGGERING JOINTS IS RECOMMENDED AS SHOWN IN DETAIL A.



STAGGERED JOINTS
DETAIL A

INSTALL POST CAPS USING RECOMMENDED CONSTRUCTION ADHESIVE (USE SMALL SCREWS IN ADDITION TO ADHESIVE IF NECESSARY. PRE-DRILL PILOT HOLES AND USE MINIMAL TORQUE TO PREVENT CAPS FROM SPLITTING).



ADDITIONAL INFORMATION:

1. COLOR AND WOOD GRAIN MAY VARY AMONG BOARDS.
2. TERRA-RAIL MAY "DEFLECT" DEPENDING UPON WEATHER AND ENVIRONMENTAL CONDITIONS.
3. ALWAYS CONSULT LOCAL AND REGIONAL BUILDING CODES FOR SPECIFICS REGARDING YOUR PROJECT.

JANUARY 2011



NATURES COMPOSITES™

REMOVING FOOT PRINTS FROM OUR WORLD
1302 INDUSTRIAL PARK AVE.
TORRINGTON, WYOMING 82240
(307) 532-9942

WWW.NATURESCOMPOSITES.COM