

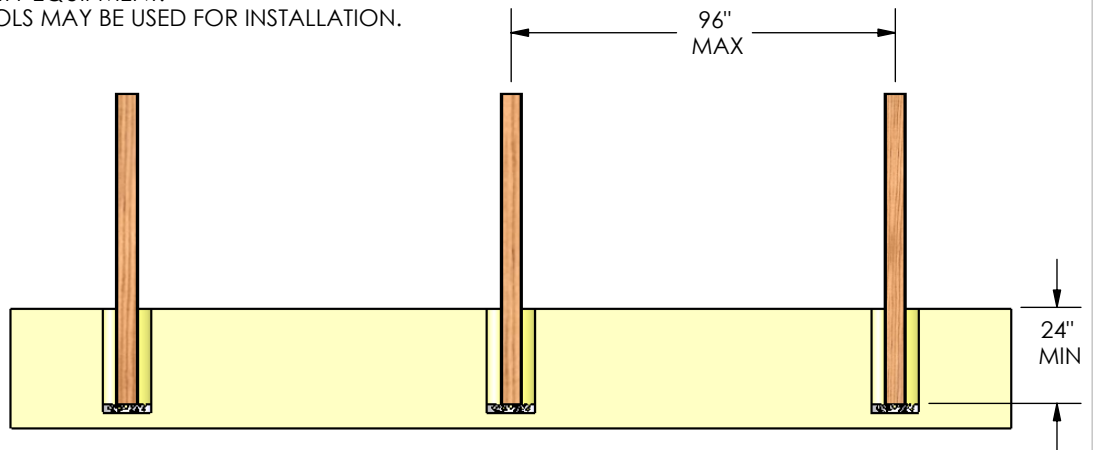
TERRA RAIL™ FENCE INSTALLATION INSTRUCTIONS - 4 RAIL

BEFORE YOU BEGIN

1. VERIFY LOCATION OF UNDERGROUND UTILITIES BEFORE YOU BEGIN.
2. LOCATE PROPERTY LINES.
3. CONSULT LOCAL AND REGIONAL BUILDING CODES BEFORE YOU BEGIN.
4. ALWAYS WEAR APPROPRIATE SAFETY EQUIPMENT.
5. STANDARD WOODWORKING TOOLS MAY BE USED FOR INSTALLATION.

POST INSTALLATION

1. DIG 12" DIAMETER HOLES 24" TO 36" DEEP DEPENDING ON LOCAL BUILDING CODES.
2. ADD 2" OF GRAVEL TO BOTTOM OF HOLES.
3. SET POSTS IN 24" MINIMUM OF CONCRETE MAKING SURE THAT PRE-ROUTED SLOTS IN POSTS ARE PROPERLY ALIGNED.
4. BEFORE CONCRETE SETS, PLUMB AND LEVEL POSTS MAKING SURE TO USE A STRING-LINE TO MAINTAIN ALIGNMENT.
5. ALLOW CONCRETE TO PROPERLY SET BEFORE PROCEEDING TO NEXT STEP.



RAILING INSTALLATION

1. INSTALL RAIL-LOCKS™ IN RAILS AS SHOWN.
2. DRILL 17/32" DIA HOLE IN RAIL 1-1/8" DEEP AS SHOWN.
3. INSERT RAIL-LOCK™ INTO HOLE FLAT SIDE DOWN.
4. COMPRESS RAIL-LOCK AND SLIDE RAIL INTO PRE-ROUTED HOLE IN POST.
5. RAIL-LOCK™ WILL EXPAND TO KEEP RAIL FROM FALLING OUT ONCE RAIL IS INSTALLED INTO POST.

NOTE: LEAVE 2" GAP BETWEEN RAILS ENDS TO ALLOW FOR EXPANSION.

6. STAGGER JOINTS IS RECOMMENDED AS SHOWN IN DETAIL A.

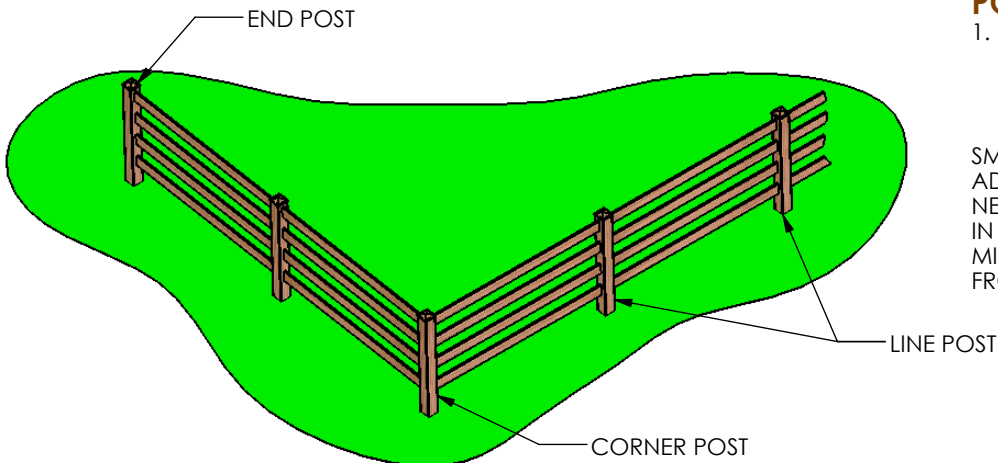
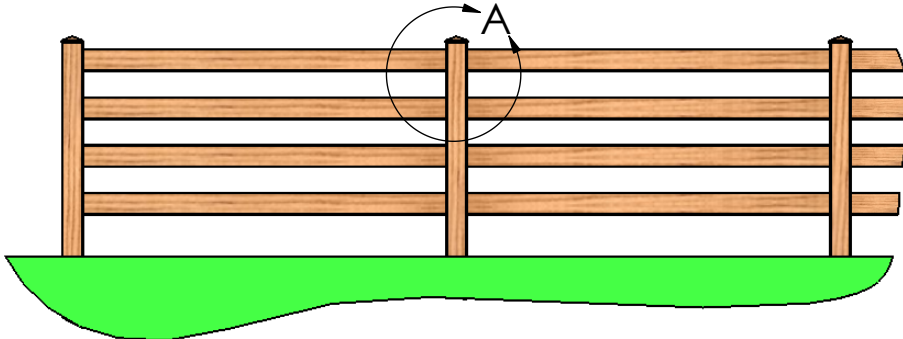
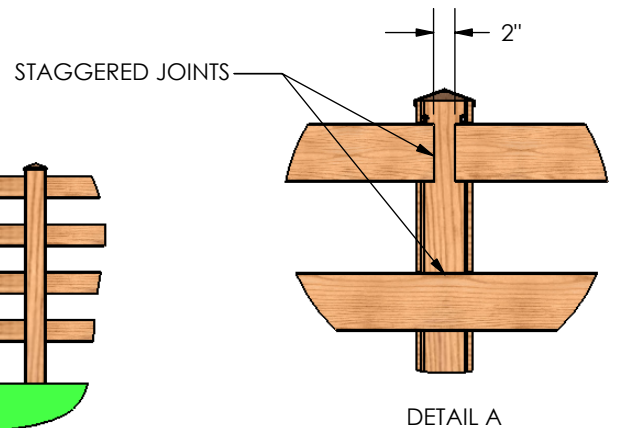
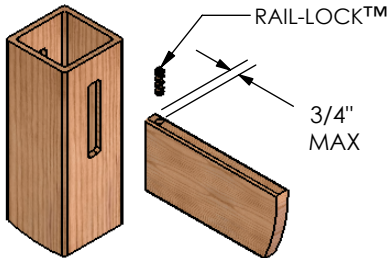


FIGURE 1

ADDITIONAL INFORMATION

1. COLOR AND WOOD GRAIN MAY VARY AMONG BOARDS.
2. TERRA RAIL MAY "DEFLECT" DEPENDING UPON WEATHER AND ENVIRONMENTAL CONDITIONS.
3. ALWAYS CONSULT LOCAL AND REGIONAL BUILDING CODES.
4. BE SURE TO SELECT THE PROPER POST TYPE AND APPROPRIATE QUANTITY OF EACH FOR YOUR PROJECT AS SHOWN IN FIGURE 1

JANUARY 2011



NATURES COMPOSITES™

REMOVING FOOT PRINTS FROM OUR WORLD
1302 INDUSTRIAL PARK AVE.
TORRINGTON, WYOMING 82240
(307) 532-9942

WWW.NATURESCOMPOSITES.COM